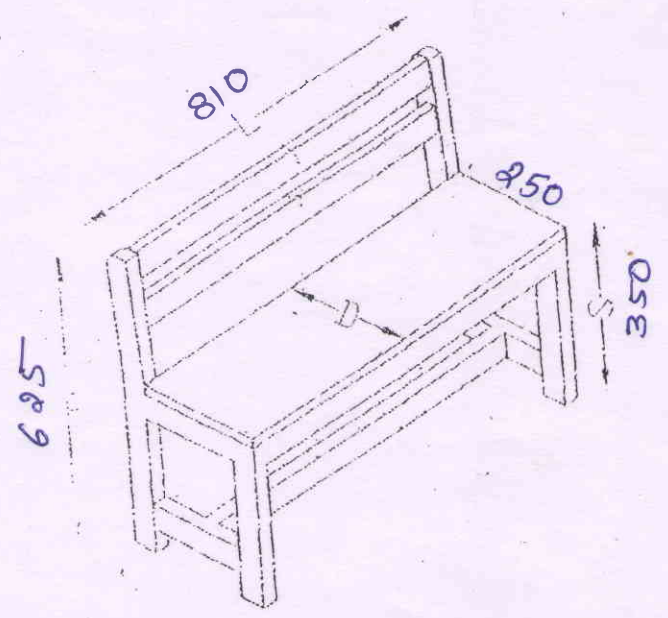


Plan I to II

11



10

